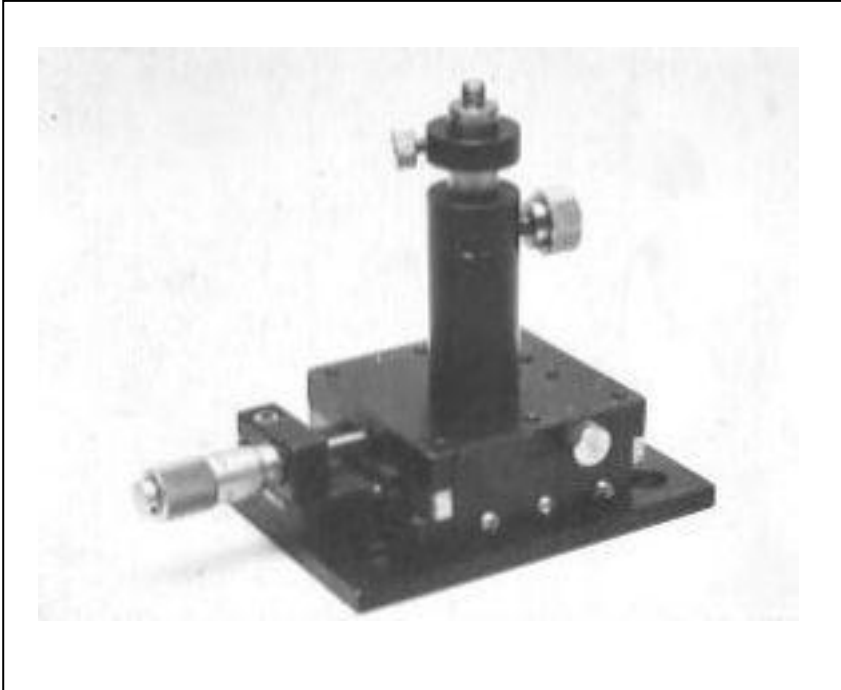


JAIN LASERTECH PVT. LTD.
P.O.Box 5245, Chinchbunder P.O.
MUMBAI 400 009
Tel: +91 98921 66430
Email: jain@jainlasertech.com
Website: www.jainlasertech.com

MICRO-POSITIONER STAGES



- 10mm micrometer-controlled travel range
- Positioned to 10 microns accuracy
- Choice of different combination of axes
 - X
 - XY
 - Z
 - YZ
 - XYZ
- Oil and grease free
- Base matched to standard rail/table system

Model	Min.Ht. (mm)	Max.Ht. (mm)
HXMSBM-18(a)	85	115
HXYMSBM-24	105	135
HZMSBM-25	125	165
HYZMSBM-26	140	180
HXYZMSBM-27	160	200

Minimum and Maximum components heights available (by adjusting post) is shown in the table alongside.

[cut here]

Name & Address: _____

Email: _____

Enquiry Ref. # _____

Sign: _____

Date: _____

Request for Quotation:

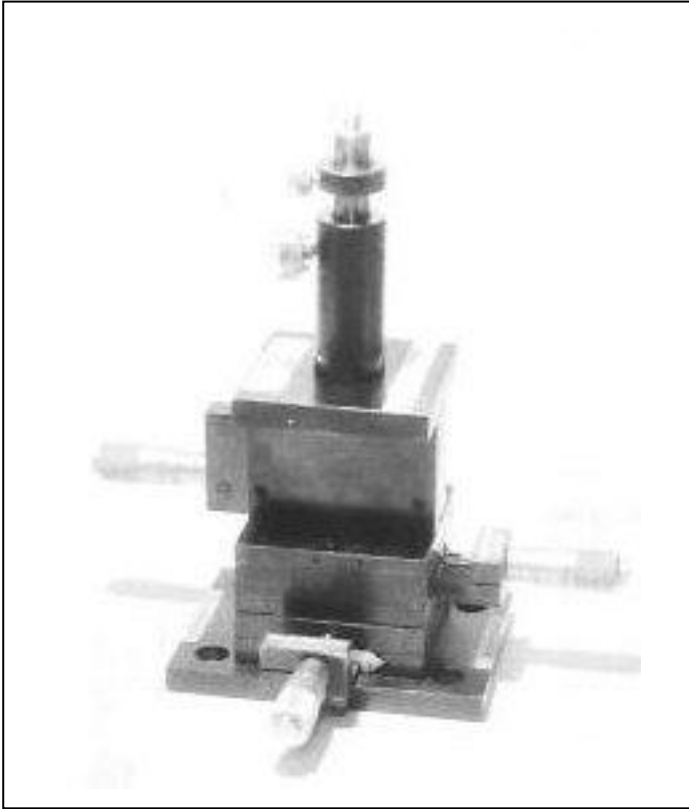
- [] HXMSBM-18(a) (for x travel)
[] HXYMSBM-24 (for x-y travel)
[] HZMSBM-25 (for z travel)
[] HYZMSBM-26 (for y-z travel)
[] HXYZMSBM-26 (for x-y-z travel)

Mail this form to:

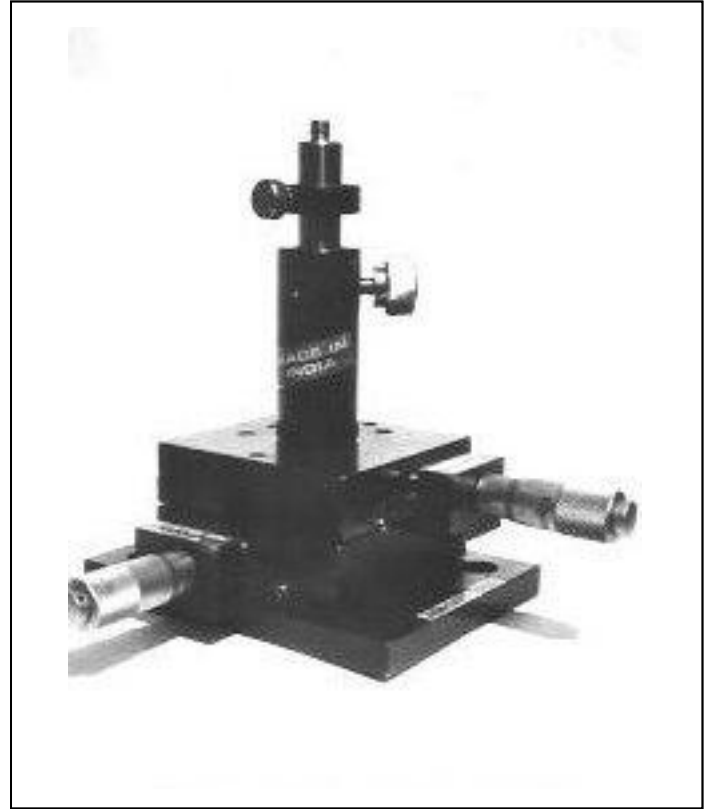
JAIN LASERTECH PVT. LTD.
P. O. Box 5245, Chichbunder P.O.
MUMBAI 400 009.
M : 0 98921 66430
Fax : 022 2414 9583

JAIN LASERTECH PVT. LTD.
P.O.Box 5245, Chinchbunder P.O.
MUMBAI 400 009
Tel: +91 98921 66430
Email: jain@jainlasertech.com
Website: www.jainlasertech.com

MICRO-POSITIONER STAGES



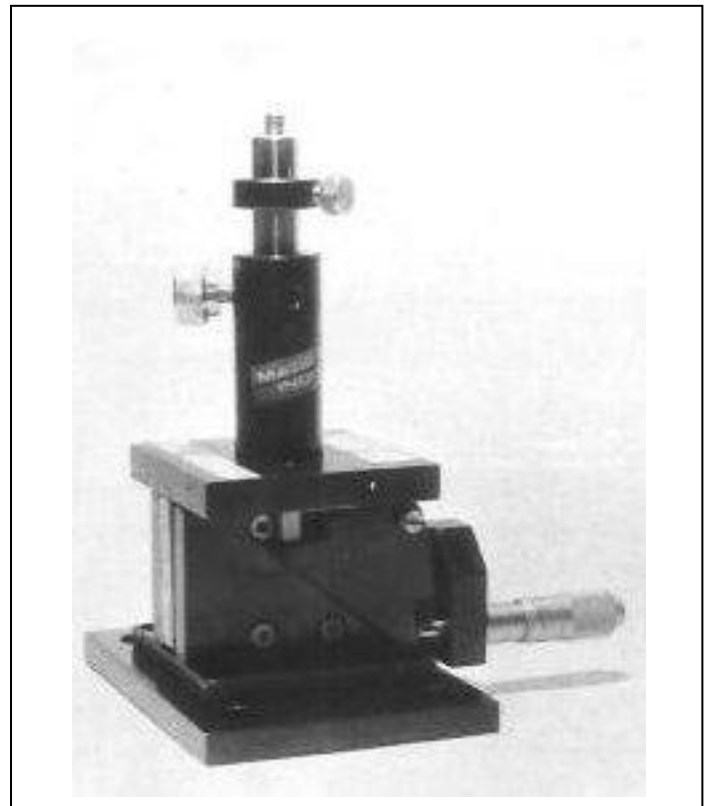
HXYZMSBM-27



HXYMSBM-24



HYZMSBM-26



HZMSBM-25